

12600-S-xx

mini Camera Link SDR Board Mount Connector Lock Screw

RoHS Compliant



Ordering Information

12600-S-xx

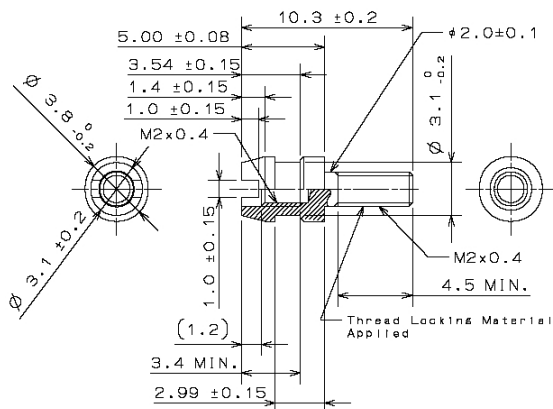
適合パネル厚

08 : 0.8mm

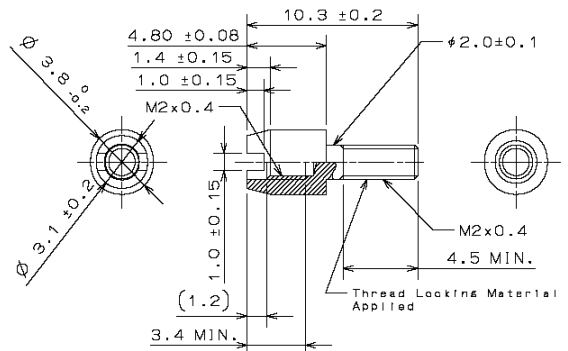
10 : 1.0mm

12 : 1.2mm

12600-S-08



12600-S-10



12600-S-12

